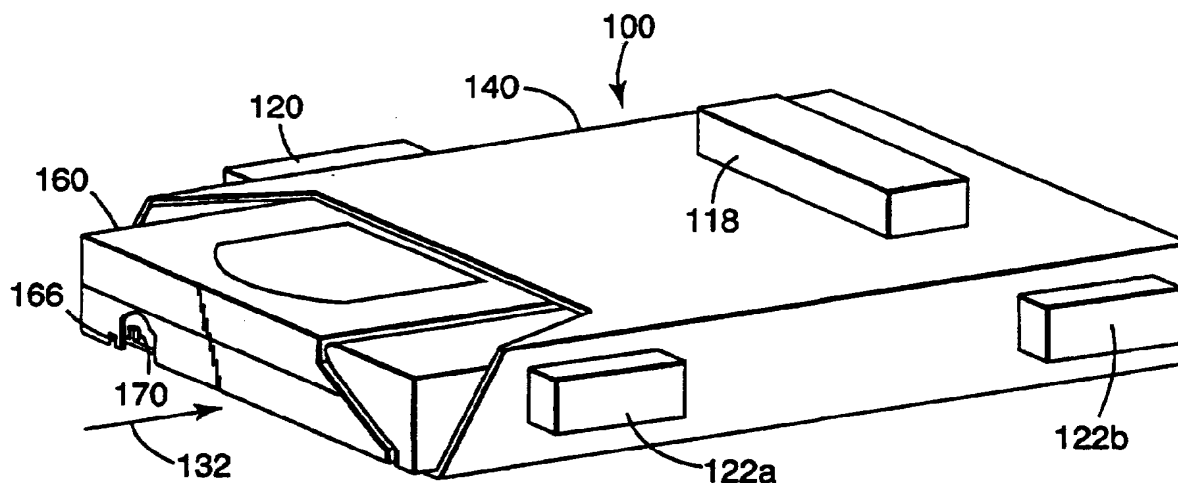




INTERNATIONAL APPLICATION PUBLISHED UNDER THE PATENT COOPERATION TREATY (PCT)

<p>(51) International Patent Classification ⁶ : G07F 7/06, 7/00, G06F 17/60</p>	A1	<p>(11) International Publication Number: WO 97/15031</p> <p>(43) International Publication Date: 24 April 1997 (24.04.97)</p>
<p>(21) International Application Number: PCT/US96/15505</p> <p>(22) International Filing Date: 27 September 1996 (27.09.96)</p> <p>(30) Priority Data: 08/543,364 16 October 1995 (16.10.95) US</p> <p>(71) Applicant: MINNESOTA MINING AND MANUFACTURING COMPANY [US/US]; 3M center, P.O. Box 33427, Saint Paul, MN 55133-3427 (US).</p> <p>(72) Inventors: BELKA, Anthony, M.; P.O. Box 33427, Saint Paul, MN 55133-3427 (US). BRACE, Thomas, J.; P.O. Box 33427, Saint Paul, MN 55133-3427 (US).</p> <p>(74) Agents: BARTINGALE, Kari, H. et al.; Minnesota Mining and Manufacturing Company, Office of Intellectual Property Counsel, P.O. Box 33427, Saint Paul, MN 55133-3427 (US).</p>		<p>(81) Designated States: AU, BR, CA, CN, JP, SG, European patent (AT, BE, CH, DE, DK, ES, FI, FR, GB, GR, IE, IT, LU, MC, NL, PT, SE).</p> <p>Published <i>With international search report. Before the expiration of the time limit for amending the claims and to be republished in the event of the receipt of amendments.</i></p>

(54) Title: ARTICLE INVENTORY TRACKING AND CONTROL SYSTEM



(57) Abstract

An article inventory tracking and control system tracks and controls removal of articles from a secured facility. Exemplary facilities in which the system may be useful include libraries, rental stores and retail stores. Each article is marked with an EAS marker to prevent unauthorized removal. In the system, each user of a facility and each article in the facility is uniquely identifiable. Upon receiving the user and article information, the system queries a central database to ensure that the user is a valid user and that the desired transaction is authorized. A receiving compartment is specifically designed to receive a particular type of article, such as a video or audio cassette. Sensors in the receiving compartment ensure that the article is properly placed within the receiving compartment. Proper placement of the article within the receiving compartment ensures that the marker is properly re/desensitized, and also ensures that only one transaction on one article can be performed at a time.

FOR THE PURPOSES OF INFORMATION ONLY

Codes used to identify States party to the PCT on the front pages of pamphlets publishing international applications under the PCT.

AM	Armenia	GB	United Kingdom	MW	Malawi
AT	Austria	GE	Georgia	MX	Mexico
AU	Australia	GN	Guinea	NE	Niger
BB	Barbados	GR	Greece	NL	Netherlands
BE	Belgium	HU	Hungary	NO	Norway
BF	Burkina Faso	IE	Ireland	NZ	New Zealand
BG	Bulgaria	IT	Italy	PL	Poland
BJ	Benin	JP	Japan	PT	Portugal
BR	Brazil	KE	Kenya	RO	Romania
BY	Belarus	KG	Kyrgystan	RU	Russian Federation
CA	Canada	KP	Democratic People's Republic of Korea	SD	Sudan
CF	Central African Republic	KR	Republic of Korea	SE	Sweden
CG	Congo	KZ	Kazakhstan	SG	Singapore
CH	Switzerland	LI	Liechtenstein	SI	Slovenia
CI	Côte d'Ivoire	LK	Sri Lanka	SK	Slovakia
CM	Cameroon	LR	Liberia	SN	Senegal
CN	China	LT	Lithuania	SZ	Swaziland
CS	Czechoslovakia	LU	Luxembourg	TD	Chad
CZ	Czech Republic	LV	Latvia	TG	Togo
DE	Germany	MC	Monaco	TJ	Tajikistan
DK	Denmark	MD	Republic of Moldova	TT	Trinidad and Tobago
EE	Estonia	MG	Madagascar	UA	Ukraine
ES	Spain	ML	Mali	UG	Uganda
FI	Finland	MN	Mongolia	US	United States of America
FR	France	MR	Mauritania	UZ	Uzbekistan
GA	Gabon			VN	Viet Nam

ARTICLE INVENTORY TRACKING AND CONTROL SYSTEM

BACKGROUND

5 Article inventory control systems are used to authorize, track and control movement of items into and out of a facility. An example is a library circulation control system. In this case, each user is uniquely identified by an identification card containing magnetically or optically detectable data (e.g., a barcode). The items to be tracked, books in the collection of the library, for example, have a similar identifying label such
10 that each item is uniquely identified. A computerized database contains identification data on all registered patrons of the library and identification data on all books, videos, audiocassettes, and other items in the library's collection. When someone desires to remove an item from the library, the library circulation control system first verifies that the person is an authorized patron of the library. The system determines whether the
15 person is authorized to check out any item, or a particular class of items. The system then determines whether the particular item can be removed from the library. Some items which the library may not want removed can include certain reference items, very rare or valuable items, or items that are on reserve. If both the user and the item are authorized by the system, the item may be removed from the library by that user. The
20 system then updates the computerized database to indicate that the particular user has checked out the particular item at issue. The system will also give a visual or audible indication to the user that the item has been checked out, or will give an error message if either the user or the item was not authorized.

To prevent unauthorized removal of items from the facility, electronic article
25 surveillance systems (EAS) may be employed. An EAS system usually includes an EAS marker attached to the items to be protected, a mechanism for interrogating and sensing the marker within an interrogation zone, usually located near the exit of the facility, and a mechanism for preventing unauthorized removal of the article from the facility, such as a locking exit gate or an audible alarm. When an active marker is detected within the
30 interrogation zone, the gate is locked or the alarm is sounded, thus reducing the number of unauthorized removals from the facility.

To allow authorized removal of articles from a facility, dual status markers have been developed. The dual status markers can be deactivated to allow authorized removal, such as check out from a library or video rental store, when the item is returned, the marker can be reactivated. However, the relatively large magnetic fields
5 required to deactivate the markers is more than sufficient to degrade the prerecorded magnetic signals on audio or video cassettes to a degree that is audibly or visually perceptible by human beings. Such effects, including print through and partial erasure, are highly undesirable.

10 SUMMARY

An article inventory tracking and control system for controlling movement of a selected one of a plurality of articles having a defined configuration into and out of a secured facility, comprising: a receiving compartment adapted to receive the article in a predetermined orientation within the receiving compartment; authorization means in
15 which each of the articles and each user of the facility is uniquely identifiable by associated article information and user information, the authorization means for processing and recording information regarding authorization or inhibiting removal of the article by an individual user, each article being provided with a marker that is desensitized to permit removal of the article from the facility and sensitized on return to
20 the facility; means for changing the status of the marker for desensitizing the marker to permit removal of the article from the facility upon authorization from the article inventory control subsystem.

BRIEF DESCRIPTION OF THE DRAWINGS

25 The various objects, features, and advantages of the present invention will be understood upon reading and understanding the following detailed description and accompanying drawings, in which:

FIGURE 1 is a block diagram of the present device;

FIGURE 2 shows a typical video cassette and preferred placement of an EAS
30 marker and barcode thereon;

FIGURE 3 shows the receiving compartment for a video cassette embodiment of the present device;

FIGURE 4 shows the preferred de/reactivator; and

FIGURE 5 is a flow chart of the control flow for the present device.

5

DETAILED DESCRIPTION

In the following detailed description, reference is made to the accompanying drawings which form a part hereof, and in which is shown by way of illustration a specific embodiment in which the invention may be practiced. It is to be understood
10 that other embodiments may be utilized and structural changes made without departing from the spirit and scope of the present invention.

The present application is directed towards an article inventory tracking and control system which tracks and controls movement of articles out of and into a secured facility. Examples of facilities in which the present system may be useful include
15 libraries, video rental stores, and other facilities in which articles are repeatedly checked out and returned. Other examples of facilities in which the present system may be useful include retail stores where the store desires to track and control article flow out of the facility.

Several set ups of the system are possible. In one embodiment, the system is set
20 up for use by a clerk in a retail store, library, or other facility. In another embodiment, the system is set up for automated self check out or purchase by the patrons of a library, rental store, or retail store. In those facilities where articles are repeatedly checked out and checked in, the system could be set up in a variety of ways including clerk check out and clerk check in, patron self check out with clerk check in, or patron self check out
25 and patron self check in. Any variations of the above uses and set ups are well within the scope of the present invention.

Figure 1 shows a block diagram of the present device 100. The device 100 includes a processor 110, video monitor 112, card reader 116, barcode scanner 118, sensors 122a and 122b and re/deactivator 120. The processor 110 of the device 100 is
30 connected to a central database 130. The central database 130 would include for example, user identification and information data, and article identification and

information data. In the library example, all patrons of the library and would be in the central database, and all items in the library collection would also be in the central database.

5 Various transactions which can be performed using the system include check out, check in and reserve (in the case of a library or rental store) or purchase (in the case of a retail store). Preferably, the system prompts the user through the transaction process via the monitor 112. Also in one preferred embodiment, a receipt or transaction record is printed by printer 113 to provide a record of the transaction to the user.

10 To provide authentication and authorization of the desired transaction, each user of the facility is identifiable with, for example, a user identification card having a magnetic strip or barcode thereon. The user identification card preferably contains at least one piece of identifying information such as a user number. The user id code scanner 116 reads the user id number from the user identification card, and sends the information to the processor 110. The processor then communicates with the central
15 database 130 to obtain the user information, such as name, address, telephone number, etc., and also other relevant information such as the types of articles that user is authorized to check out, whether any fines are owed, etc.

20 Similarly, each item in the library's collection is identifiable through an article identification code. The article identification code can be, for example, a barcode that is permanently affixed to the article, embedded or inscribed in the article, or affixed to a tag adapted to be attached to the article. The article id code scanner 118 reads the article identification code and sends the information to processor 110. The processor then communicates with the central database 130 to obtain the article information, such as its title, status, whether it can be checked out, etc.

25 The processor uses the information received from the central database to authenticate both the user and the article, and also to determine whether the desired transaction is authorized. If any of the evaluations by processor 110 are indicative of an unauthorized user or unauthorized article, an error message is sent to the video monitor and the transaction is not allowed to take place.

30 When the transaction is authorized, processor 110 updates the central database to indicate that the desired transaction has taken place. The user is then instructed via

video monitor 112 to remove the article from the device 100. Sensors 122a and 122b sense the removal of the article and operate to energize the re/deactivator 120 to change the status of the marker. In other words, the re/deactivator either deactivates the marker (in the case of an authorized check out) or reactivates the marker (in the case of
5 check in). The re/deactivator is turned on at the appropriate time to ensure thorough deactivation of the EAS marker and to ensure that there are no harmful effects to the prerecorded magnetic media within the article. Sensors 122a and 122b also detect when the article has been completely removed from the device. When the article has been completely removed, the re/deactivator 120 is turned off. This ensures that only one
10 article may be processed at a time.

The re/deactivator 120 deactivates EAS markers with a re/deactivating magnetic field that is specifically designed to ensure that any levels of signal degradation on the video cassettes are below perceptible levels.

Figure 2 shows a perspective view of a typical video cassette 160. In practice, a
15 marker 102 is preferably placed in recessed portion 162 on side edge 163 of a video cassette 160. In the preferred embodiment, the marker 102 is a dual status marker, such as that described in commonly assigned U.S. Patent Number 3,765,007. An article identification code 165, such as a barcode, is preferably located on the top side 164 of the video cassette.

20 The preferred embodiment of the system includes a receiving compartment 140 that is specifically sized to receive articles having predefined configurations, such as video cassettes, audio cassettes, diskettes, etc. This receiving compartment for use with video cassettes is shown in Figure 3 and is shown with a video cassette 160 placed therein. Also shown in Figure 3 are the preferred relative locations of the deactivator
25 120, sensors 122a and 122b, and article id code scanner 118 with respect to the receiving compartment 140. In use, a video cassette 160 is inserted in the receiving compartment 140 in the direction indicated by arrow 132. The video cassette 160 is oriented such that the side edge 163 having the marker thereon is towards the deactivator 120, and such that the article information code 165 is towards the article id
30 code reader 118. To aid the user in proper insertion of the video cassette, a guide pin 170 could be placed on the floor of the receiving compartment to match up with the

groove 166 in the bottom of the video cassette 160. Sensors 122a and 122b operate to determine when the video cassette is properly placed in the receiving compartment 140. Proper placement ensures that the article information code 165 can be read by the article id code reader 118, and that the marker 102 is properly re/deactivated. Similar receiving
5 compartments designed for audio tapes, diskettes, other magnetic media or other articles having known configurations could be substituted for the video cassette receiving compartment shown in Figure 3 without departing from the scope of the present invention.

The preferred re/deactivator 120 is shown in Figure 4. Re/deactivator 120
10 typically comprises a high permeability magnetic core 130 enclosed by at least one coil 131 such that the magnetic core becomes magnetized by magnetic fields associated with electrical current in coil 131. Magnetic core 130 typically is designed to provide a nearly continuous path through and around coil 131, except for a relatively narrow gap 132. Magnetic core 130 in the example system is
15 formed from two core pieces 133 and 134 which each have one end in contact with the other at surface 135. The core preferably has a rectangular cross-section everywhere except at the tapered polepieces 136 and 137 adjacent gap 132. The tapered polepieces 136 and 137 reduce the rectangular cross-section areas of the poletips 138 and 139, concentrating the magnetic flux across the gap 132, and are
20 configured such that the edges of poletips 138 and 139 protrude to be in closer proximity to the dual status marker on the article. For the deactivation function, current (DC) flows through coil 131 applying a magnetic field to core 130 in a direction approximately perpendicular to surface 135. The induced magnetic flux forms a continuous path around the core, passing through the tapered pole pieces
25 and across gap 132. The resulting magnetic field adjacent gap 132 is at its greatest magnitude within the gap, but fairly large fringe fields extend between pole tip 138 and 139 in close proximity to gap 132. As the dual-status marker 102 attached to the article is removed from the device 100, marker 102 is translated in close proximity to the protruding edges of poletips 138 and 139, subjecting marker 102
30 to fringe fields of sufficient magnitude to sequentially magnetize each of the remanently magnetized segments which are present on the marker for deactivation

purposes. After removal from the device 100, magnetic fields from the remanently magnetized segments will retain the high permeability signal-producing layer of marker 102 in a magnetized state such that the marker will not produce an alarm signal when the article is carried through the interrogation zone of the EAS system.

5 The feature that allows magnetic fields to be used to deactivate a marker on a video cassette without adversely affecting signals recorded on the magnetic tape contained therein is that the fringe magnetic field adjacent gap 132 drops off very rapidly with distance from the protruding edges of poletips 138 and 139, so that the enclosed magnetic tape is not subjected to magnetic fields of sufficient magnitude
10 for erasure or detectable degradation.

In an example system of the invention, magnetic core 130 of re/deactivator 120 is approximately 2.4 cm thick, consisting of three laminated layers of approximately 8 mm thickness of iron formed by a powder metallurgy process. The other dimension of poletips 138 and 139 is about 3 mm and the gap between
15 poletips 138 and 139 is approximately 2 mm. The other dimensions shown in Figure 4 are 4.7 cm (141), 2.7 (142) and 1.2 (143). The coil 131 preferably consists of about 1130 turns of 29 gauge (approximately 0.3 mm diameter) copper wire, and carries a current of 300-350 mA when driven by a 12 volt DC power supply.

20 For the reactivation application, the coil 131 is preferably driven by an AC power supply of a frequency high enough to allow the magnetization of each remanently magnetizable segment to reverse repeatedly, more than five cycles, and preferably more than ten cycles, while the segment is still in the magnetic influence of the reactivator device. For reactivation, the alternating current preferably has a
25 peak value approximately in the 300-350 mA range. In alternate preferred embodiments, a higher voltage power supply may be preferred. Also, depending on the frequency selected, the core may consist of electrically isolated metal laminations or of a non-conductive magnetic ferrite material.

Figure 5 is a simplified flow diagram showing the control steps followed to carry
30 out a transaction in the present device. At block 202 the user id code reader obtains the user number from the user identification code on the user's id card. The system then

queries the central database 130 to get the user information and determine whether the user is a valid user. If the user is valid at block 204, the system gets the transaction information at block 206. Various exemplary transactions can include checkout, check in, reserve, etc. At block 208 the system determines whether the transaction is valid, If
5 so, the system checks the status of sensor 122a at block 210 to determine whether an article has been inserted into the receiving compartment. The system waits for a time-out period at block 212 to give the user some time to insert the article. If so, the device looks for the article id code at block 214. If the article id code is present, the article information is obtained from the central database at block 218. If no article id code is
10 found at block 214 and sensor 122b indicates that the article is properly positioned within the receiving compartment at block 215, then an error message is displayed at block 236. In this case, either the article does not have an article id code on it, or the user has inserted the article incorrectly. If at block 215 the sensor 122b is not blocked (e.g., the article not properly positioned in the receiving compartment), the system waits
15 for a time-out period at block 216 to give the user some time to finish inserting the article. The system then verifies that this user can perform the desired transaction on this particular article at block 220. Once the transaction is verified at block 222, the system updates the information in the central database regarding the user corresponding to the user id number and the article corresponding to the article id code in the central
20 database to indicate that the transaction has taken place.

Once the database updates have taken place, the system checks to make sure that the article is properly within the receiving compartment by checking sensor 122b at block 223. If after the timeout period in block 225 the article is not properly positioned, an error message is displayed at block 236. When the article is properly positioned, the
25 system then instructs the user to remove the article from the receiving compartment. At block 224, the system checks the status of sensor 122b to determine whether the user has begun to remove the article. If so, the re/deactivator is turned on at block 228. In this manner, the initial action of removing the article from the receiving compartment operates to turn on the re/deactivator. As the user continues to remove the article from
30 the receiving compartment, the article and the marker thereon are moved passed the re/deactivator, thus reactivating or deactivating the marker, depending upon the

transaction being processed. In the case of deactivation, the user is then allowed to remove the article from the facility. In the case of a check-in, the marker would be reactivated so that it can again be protected from unauthorized removal.

At block 230, the system checks the status of sensor 122a to determine whether
5 the article has been completely removed from the receiving compartment. If so, the re/deactivator is turned off at block 234 and the transaction is complete.

If at any of blocks 204, 208 or 220 the transaction is found to be invalid, an appropriate error message is displayed to the user at block 236. If at any of blocks 212, 216, 226 or 232 a sensor time-out occurs, an appropriate error message, such as a
10 message prompting the user to insert or remove the article, or to change the orientation of the article in the receiving compartment, will be displayed to the user at block 236.

Although specific embodiments have been shown and described herein for purposes of illustration of exemplary embodiments, it will be understood by those of ordinary skill that a wide variety of alternate and/or equivalent implementations
15 designed to achieve the same purposes may be substituted for the specific embodiments shown and described without departing from the scope of the present invention. Those of ordinary skill will readily appreciate that the present invention could be implemented in a wide variety of embodiments. This application is intended to cover any adaptations or variations of the preferred embodiments
20 discussed herein. Therefore, it is intended that this invention be defined by the claims and the equivalents thereof.

We claim:

1. An article inventory tracking and control system which tracks and controls transactions of articles out of or into a protected area, comprising:
 - a receiving compartment adapted to receive an article having a defined configuration, and adapted to accept the article in a predetermined orientation within the receiving compartment;
 - means for changing the status of a marker attached to the article;
 - user id code reading means for receiving user information from a user identification code;
 - article id code reading means for receiving article information from an article identification code attached to the article;
 - sensing means for determining whether the article is properly placed within the receiving compartment;
 - means for validating a transaction based on the user information and the article information.
2. The system of claim 1 further including means for updating the user information and the article information with transaction information if the transaction is validated.
3. The system of claim 1 wherein the sensing means is further for determining when the article is being removed from the receiving compartment and producing therefrom an activation signal; and
 - wherein the means for changing the status of the marker is enabled in response to the activation signal.
4. The system of claim 3 wherein the sensing means is further for determining when the article has been removed from the receiving compartment and producing therefrom an article removed signal;
 - and wherein the means for changing the status of the marker is disabled in response to the article removed signal.

5. The system of claim 1 wherein the user is a patron of a library, rental store or retail store.
6. The system of claim 1 wherein the user is a clerk of a library, rental store or retail store.
7. The system of claim 1 wherein the article is a videotape.
8. The system of claim 1 wherein the article is an audio tape.
9. The system of claim 1 wherein the transaction is a check out transaction.
10. The system of claim 9 wherein the means for changing the status of the marker desensitizes the marker.
11. The system of claim 1 wherein the transaction is a check in transaction.
12. The system of claim 11 wherein the means for changing the status of the marker resensitizes the marker.
13. The system of claim 1 further including a guide pin adapted to ensure proper positioning of a video cassette in the receiving compartment.
14. An article inventory tracking and control system for controlling movement of a selected one of a plurality of articles having a defined configuration into and out of a secured facility, comprising:
 - a receiving compartment adapted to receive the article in a predetermined orientation within the receiving compartment;
 - authorization means in which each of the articles and each user of the facility is uniquely identifiable by associated article information and user information, the authorization means for processing and recording information regarding authorization or

inhibiting removal of the article by an individual user, each article being provided with a marker that is desensitized to permit removal of the article from the facility and sensitized on return to the facility;

means for changing the status of the marker for desensitizing the marker to permit removal of the article from the facility upon authorization from the article inventory control subsystem.

15. The system of claim 14 further including sensing means for sensing when the article is properly positioned within the receiving compartment.

16. The system of claim 14 wherein the the sensing means is further for sensing when the article is being removed from the receiving compartment.

17. The system of claim 16 wherein the means for changing the status of the marker is activated when the sensing means senses that the article is being removed from the receiving compartment.

18. The system of claim 1 wherein the article is diskette.

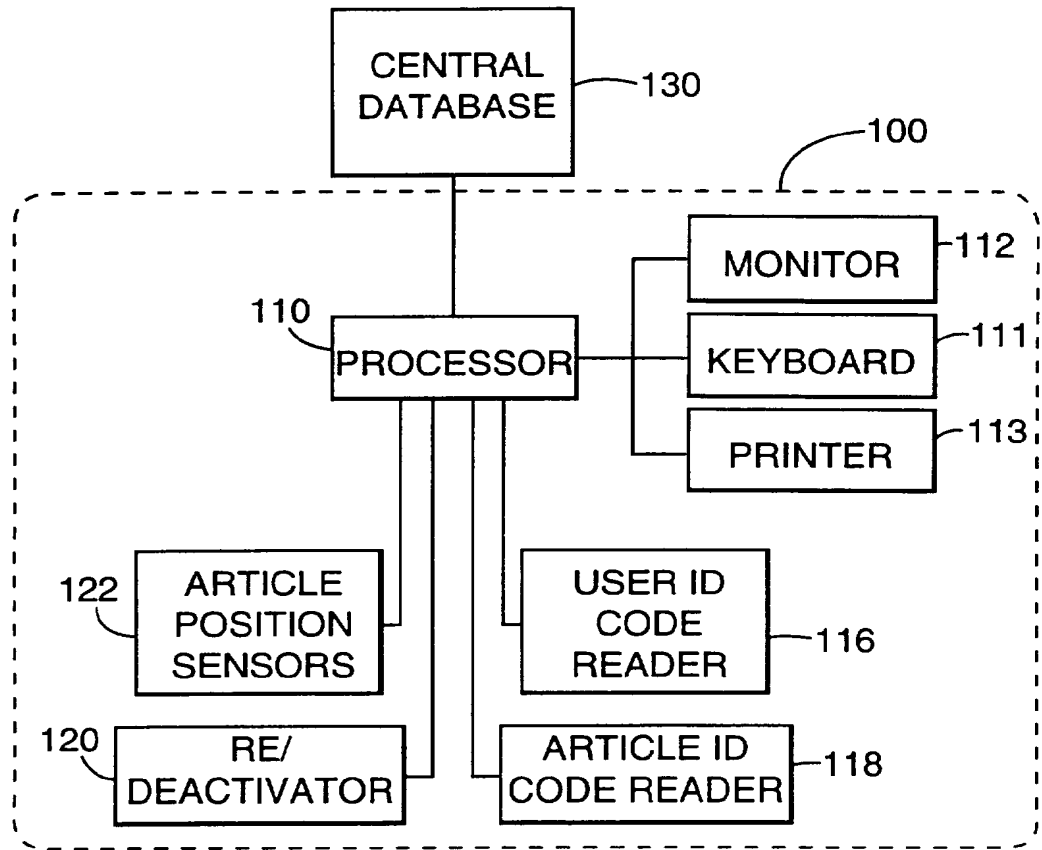


Fig. 1

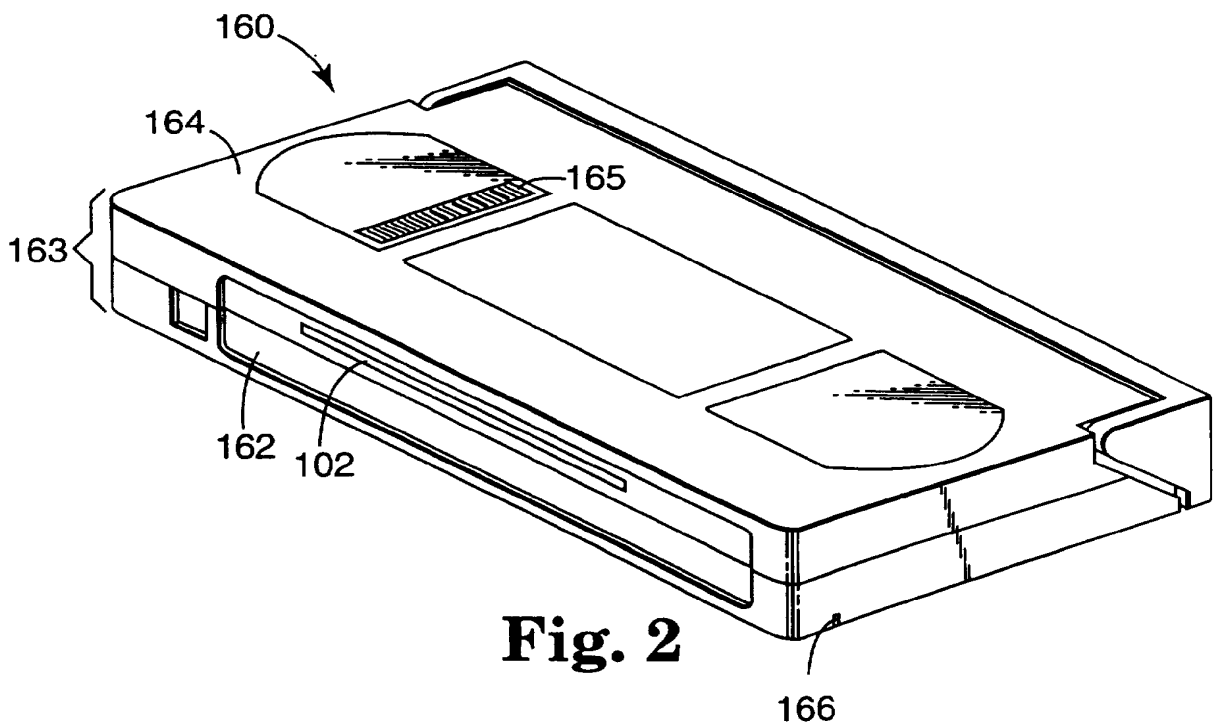


Fig. 2

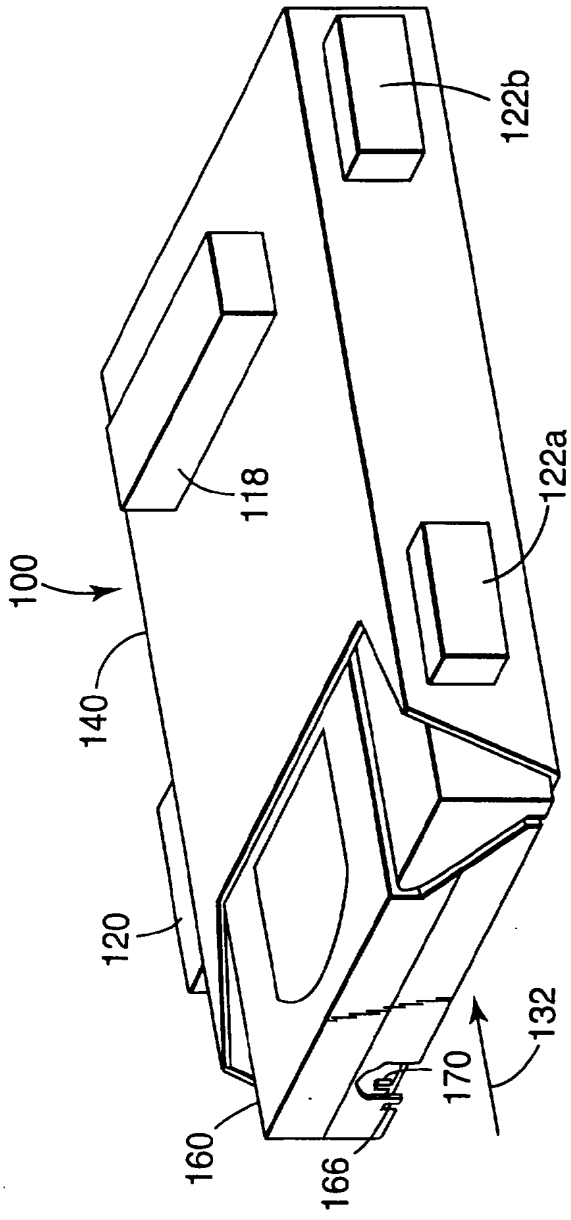


Fig. 3

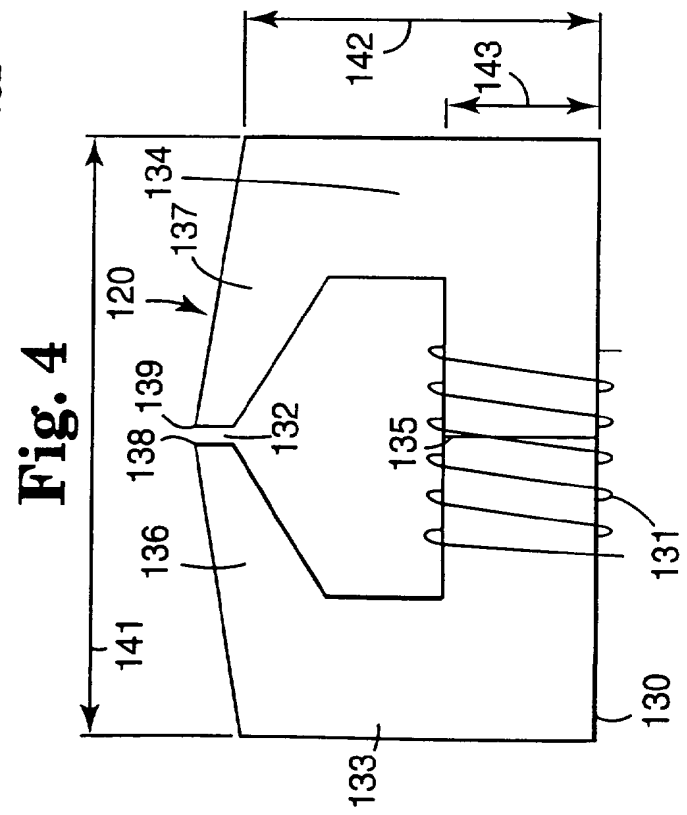
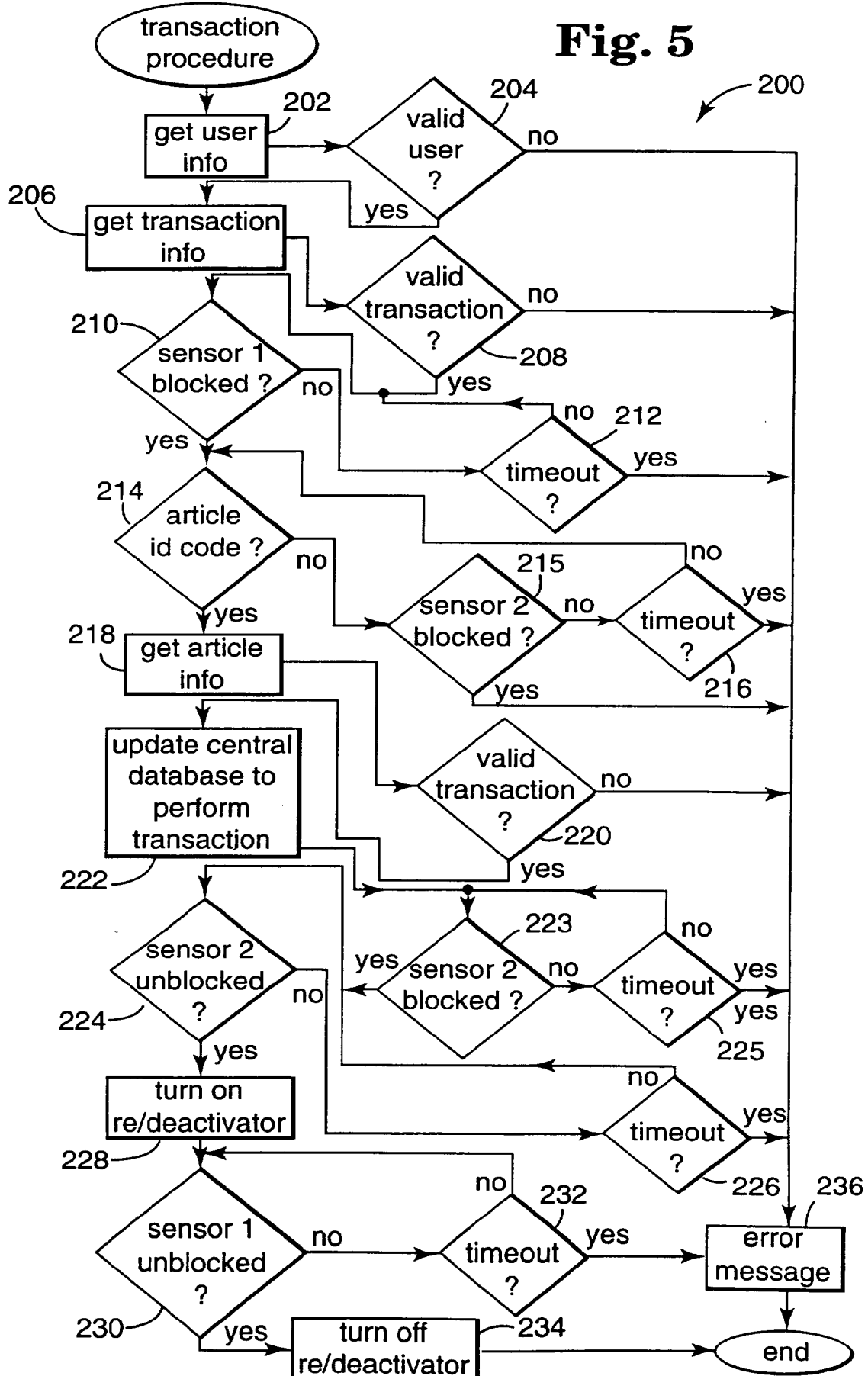


Fig. 4

Fig. 5



INTERNATIONAL SEARCH REPORT

International Application No
PCT/US 96/15505

A. CLASSIFICATION OF SUBJECT MATTER
IPC 6 G07F7/06 G07F7/00 G06F17/60

According to International Patent Classification (IPC) or to both national classification and IPC

B. FIELDS SEARCHED

Minimum documentation searched (classification system followed by classification symbols)
IPC 6 G07F G06F G08B

Documentation searched other than minimum documentation to the extent that such documents are included in the fields searched

Electronic data base consulted during the international search (name of data base and, where practical, search terms used)

C. DOCUMENTS CONSIDERED TO BE RELEVANT

Category *	Citation of document, with indication, where appropriate, of the relevant passages	Relevant to claim No.
Y A	US 4 141 078 A (L.E. BRIDGES) 20 February 1979 see abstract; claims; figures 1-9	1-5,9,11 10,12, 14,17
Y A	--- US 4 839 875 A (Z. KURIYAMA) 13 June 1989 see abstract; claims; figures	1-5,9,11 7,8, 13-16
A	--- FR 2 688 913 A (F. MICHEL) 24 September 1993	
A	--- US 5 260 690 A (G.R. MANN) 9 November 1993 --- -/--	

Further documents are listed in the continuation of box C. Patent family members are listed in annex.

* Special categories of cited documents :

<p>"A" document defining the general state of the art which is not considered to be of particular relevance</p> <p>"E" earlier document but published on or after the international filing date</p> <p>"L" document which may throw doubts on priority claim(s) or which is cited to establish the publication date of another citation or other special reason (as specified)</p> <p>"O" document referring to an oral disclosure, use, exhibition or other means</p> <p>"P" document published prior to the international filing date but later than the priority date claimed</p>	<p>"T" later document published after the international filing date or priority date and not in conflict with the application but cited to understand the principle or theory underlying the invention</p> <p>"X" document of particular relevance; the claimed invention cannot be considered novel or cannot be considered to involve an inventive step when the document is taken alone</p> <p>"Y" document of particular relevance; the claimed invention cannot be considered to involve an inventive step when the document is combined with one or more other such documents, such combination being obvious to a person skilled in the art.</p> <p>"&" document member of the same patent family</p>
--	--

Date of the actual completion of the international search 4 February 1997	Date of mailing of the international search report 19. 02. 97
---	---

Name and mailing address of the ISA European Patent Office, P.B. 5818 Patentlaan 2 NL - 2280 HV Rijswijk Tel. (+ 31-70) 340-2040, Tx. 31 651 epo nl, Fax (+ 31-70) 340-3016	Authorized officer David, J
---	---

INTERNATIONAL SEARCH REPORT

International Application No
PCT/US 96/15505

C.(Continuation) DOCUMENTS CONSIDERED TO BE RELEVANT

Category *	Citation of document, with indication, where appropriate, of the relevant passages	Relevant to claim No.
A	IBM-TDB, vol. 34, no. 10B, March 1992, ARMONK, NY, US, pages 311-312, XP000302736 "AUTOMATED LIBRARY MANAGEMENT SYSTEM" -----	

INTERNATIONAL SEARCH REPORT

Information on patent family members

International Application No

PCT/US 96/15505

Patent document cited in search report	Publication date	Patent family member(s)	Publication date
US-A-4141078	20-02-79	NONE	
US-A-4839875	13-06-89	JP-A- 63100687	02-05-88
		JP-C- 1726291	19-01-93
		JP-B- 4013242	09-03-92
		JP-A- 63106211	11-05-88
FR-A-2688913	24-09-93	NONE	
US-A-5260690	09-11-93	NONE	